



Protected Bike Lanes

New data shows the COVID-19 shutdown has led to an increase in bike riders throughout our cities US Reflector K71 bicycle lane posts have helped redefine bike lanes across north America. The K71 bollardss are stronger than the flexible thinner posts commonly used and provide a much greater visual separation of traffic and bicycle lanes day & night with 2 high power reflective collars 4 inch wide each.

The K71 post is part of the Vision Zero program helping redefining safer roadways for the future. Easy to install and maintain, the K71 post 7.5 inch diameter helps motorists and bicyclists identify bike lanes from standard thin construction posts.

Contact us today for more information. info@usreflector.com



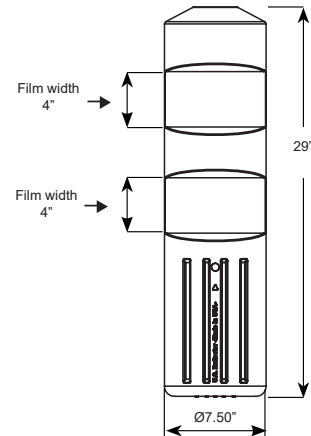
**Bicycle impact safe, collapsible, no sharp objects, 29 inches height for safe handle bar passage,
Installation: Quick and easy single point anchoring**

US Reflector

610 N. Mountain Rd Newington CT 06111 Tel: 860-289-8033
Info@usreflector.com www.usreflector.com



K71 Post For protective bike lanes

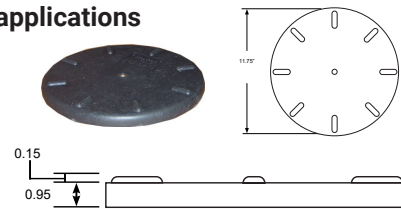


BENEFITS

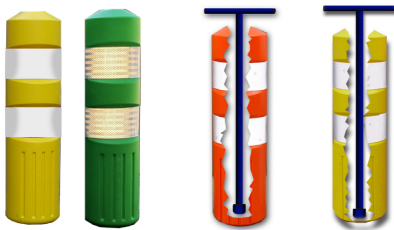
- Bicycle impact safe
- Soft impact & fully collapsible
- No sharp objects
- 29 inches height for safe handle bar passage
- Installation: Quick and easy single point anchoring

OPTIONAL BASE

Use for glue down or stand alone applications



T-Bar for easy removal and replacment



Quick and easy with US Reflectors Single Point Anchoring System. Insert T-Bar and anchor post to ground.

See video link for more details.

https://www.youtube.com/watch?v=UQ-W3z3witM&feature=emb_logo

K71 Flexible Marker Post	
Part #	Post Colors: White, Yellow, Bright Green, Medium Green, Forest Green, Custom Film Color: White, Yellow, Blue, Red, Green
4A-C-0400-(Color- Post)(color film-HI)	3M High Intensity unless otherwise specified
4A-C-0400-(Color- Post)(color film-DIA)	Diamond grade
HARDWARE & ACCESSORIES	
PART No.	DECRPTION
4A-HDW-0926	Ground anchors for K71 Post
4A-HDW-0935-M	Anti-Debis Screws for anchor sleeve
4A-0400-CAPS-WTE	White Caps for K71 Post
4A-0400-CAPS-Color	Black, white, yellow & green
4A-C-HDW-0930-SCRN	Screens for asphalt installations using ground anchor
4A-HDW-0925	T-Bar (Installation and removal of K71 Post)

US Reflector

610 N. Mountain Rd Newington CT 06111 Tel: 860-289-8033
Info@usreflector.com www.usreflector.com